

LD151

High Power Exterior LED Uplighter



Data sheet - Page 1



A very powerful uplighter for its size and depth. The LD151 has been designed specifically to produce low glare illumination to exterior walls and columns. It can be used for a wide range of project styles with a minimal aesthetic and no visible fixings. This is a very tough, high quality fitting, machined from high grade materials ensuring excellent thermal and light output performance.

Key Features

- LED and lens assembly recessed within a black anodised body for reduced glare
- Glare shield developed to minimise the view of the intense light source without affecting the wash of light on the wall/column
- Single optic produces a very consistent beam with no multiple shadows
- Tight 10° spot is available for lighting columns and arches or a 15°x 30° spreader lens which is ideal for wall washing
- No visible fixings. O-rings on the body secure it into a first fix sleeve, creating a water tight seal. A concrete housing and ground tube are also available
- RGBW LED option uses a larger optic, for a premixed light beam immediately adjacent to the fitting
- Range of bezel finish options
- Available with Switch, 0-10V, DMX, Dali or Mains dimmable drivers



Specification

| | | | | |
|---|---|---------------|---------------|---------------|
| Applications | | | | |
| Beam Angles | 10°, 15°x 30° | | | |
| LED type | 1 x Cree MKR 4 die LED with 2 Step Easy White binning | | | |
| Colour temperature | 2700K / 3000K / 4000K | | 5000K | |
| Current | 350mA | 500mA | 350mA | 500mA |
| LED power (Max) | 5W (4.4W)* | 7W (6.3W)* | 5W (4.4W)* | 7W (6.4W)* |
| CRI (Min) | 85 | 85 | 80 | 80 |
| Forward voltage (V) ₁₀₀ | 14V | 14V | 14V | 14V |
| Delivered lumens (L ₁₀₀)** | 307 | 416 | 330 | 445 |
| Lumens per circuit watt | 70 | 66 | 75 | 71 |
| LED lifetime (to 70% lumen maintenance) | 50,000hrs at a max ambient temperature of 35°C (if higher ambient then run at 350mA up to 45°C) | | | |
| Glass | 6mm thick borosilicate | | | |
| Materials | Black anodised aluminium body, Machine finish 316 stainless steel bezel (other options available) Sleeve - Black Acetal | | | |
| Wiring | Comes pre-wired with 2 core 250mm lead. Can be specified with up to 10m at extra cost. | | | |
| IP rating | IP67 | | | |

*indicates the nominal power for the LED run at that particular current and includes losses associated with using an 85% efficient driver

**Lumen output indicated is without the glare shield. Allow 30% less with glare shield.

LD151



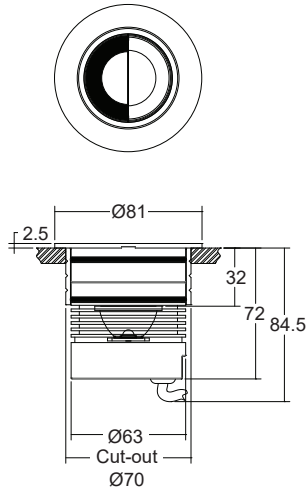
High Power Exterior LED Uplighter

Data sheet - Page 2

Dimensions and Fixing Options

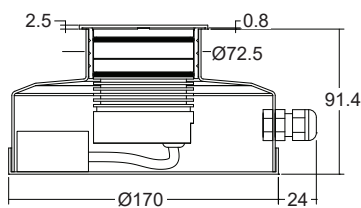
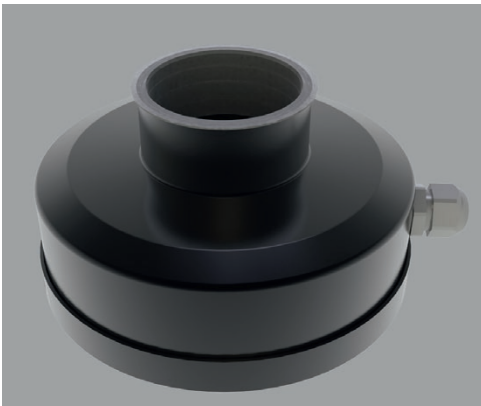
The fitting is supplied as standard with a fixing sleeve; this is bonded into the mounting surface first. The LD151 is secured into the sleeve by 2 'O' rings on the body. When pushed into the sleeve it creates a watertight seal.

/484S First Fix Sleeve supplied as standard



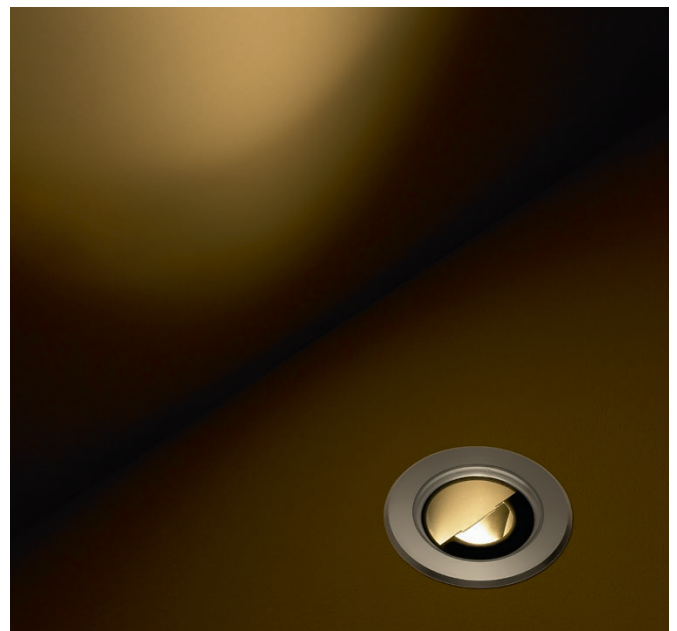
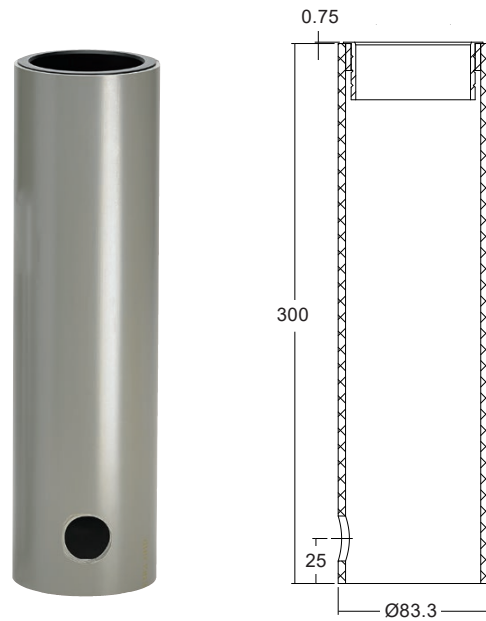
/484N Concrete housing

/ID Optional integral non dimming driver (single colour only) to fit into the housing



/484GT - Ground tube

The in-ground tube has been designed for applications where a recessed uplighter is required in soil or gravel surfaces. The tube can be buried with the necessary wiring, and then the fitting installed after the landscaping work has been completed. It is supplied with the fixing sleeve bonded into the tube, and can be cut down on site.



LD151

High Power Exterior LED Uplighter

Data sheet - Page 3

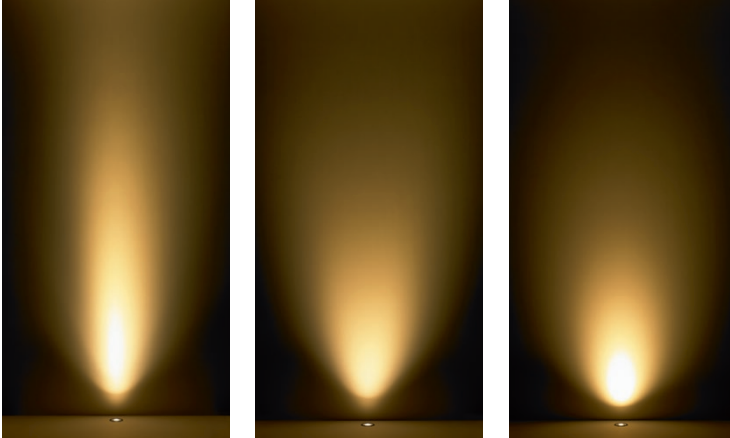


Lens Options

/NB - 10° spot

/OB - 15°x 30° spreader

RGBW - 26deg colour mix



The centre of the LD151 is positioned 125mm from the wall (2.5m high) in these photos.

Photometrics

Photometric files are included in the design pack which can be downloaded from the LD151 product page on the website.

Order Codes and Options

| Product code | LED colour | Lens angle | Bezel finish | Accessory |
|----------------------|----------------------|----------------------|----------------------|----------------------|
| LD151 - 350 - 500 | <input type="text"/> | <input type="text"/> | <input type="text"/> | <input type="text"/> |

Example: LD151-350 / LW30 / NB / Stainless Steel / 484N / ID

Product codes with output options

| | |
|----------|------------------|
| 5W 350mA | LD151-350 |
| 7W 500mA | LD151-500 |

LED colour options

| | Suffix |
|----------------------------|--------|
| Extra Warm White (2700K) | /LW27 |
| Warm White (3000K) | /LW30 |
| White (4000K) - on request | /LW40 |
| Cool White (5000K) | /LW50 |
| RGBW (White is 4000K) | /RGBW |

Beam / lens angle options

| | |
|--------------------------------|-----|
| 10° narrow spot | /NB |
| 15° x 30° oval spreader beam | /OB |
| RGBW LED comes with a 26° lens | |

Bezel finish options

Stainless steel 316
 Powder coated white / black
 Polished and passivated stainless steel (for marine environments)
 Flamed solid bronze (antique finish)

Fixing accessories

| | |
|---|-------|
| Comes as standard with /484S first fix sleeve | |
| Concrete housing | /484N |
| with integral driver | /ID |

Use with 350mA and 500mA constant current LED drivers

 For our complete range of LED drivers please download the data sheet from the downloads section at www.lightgraphix.co.uk


Design: Into Lighting Design Project: Buddha Bar, London Product: LD151